

PRODUCT CODE : LD272

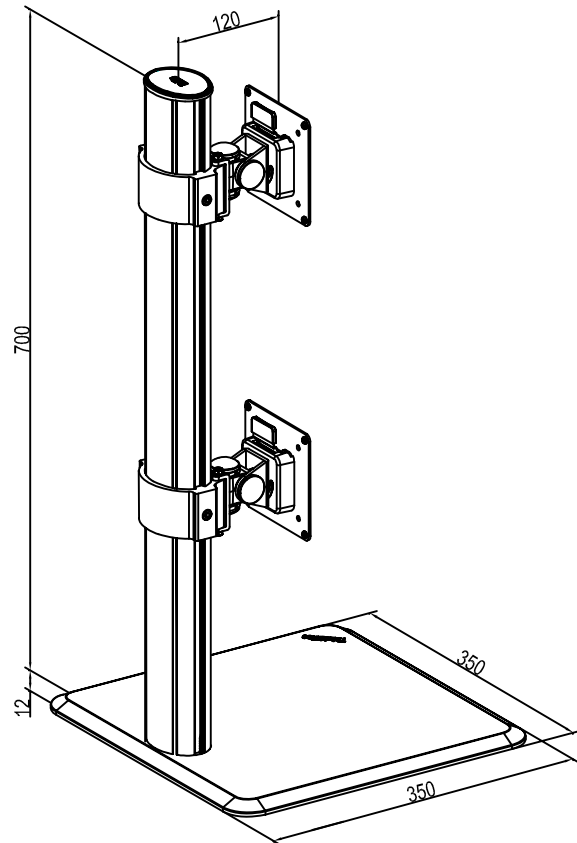
PRODUCT NAME : VERTICAL DUAL LCD MONITOR STAND

Antsys

PRODUCT FEATURES

- MADE FROM DIE CAST A380 ALUMINIUM
- CONCEAL CABLE MANAGEMENT
- DETACHABLE MOUNTING BRACKET
- SOLID AND STABLE
- HIGH QUALITY ANODIZED FINISHING

PRODUCT DIMENSION



SPECIFICATIONS

LCD SIZE	CAPACITY	LIFT	TILT	PAN	ROTATION	VESA	PACKAGING
≤24"	11	700mm	+60° ~ -25°	± 45°	± 90°	75*75 100*100	970*190*170mm 400*400*45mm

ADJUSTMENT DIAGRAM

