

PRODUCT CODE : GSD101

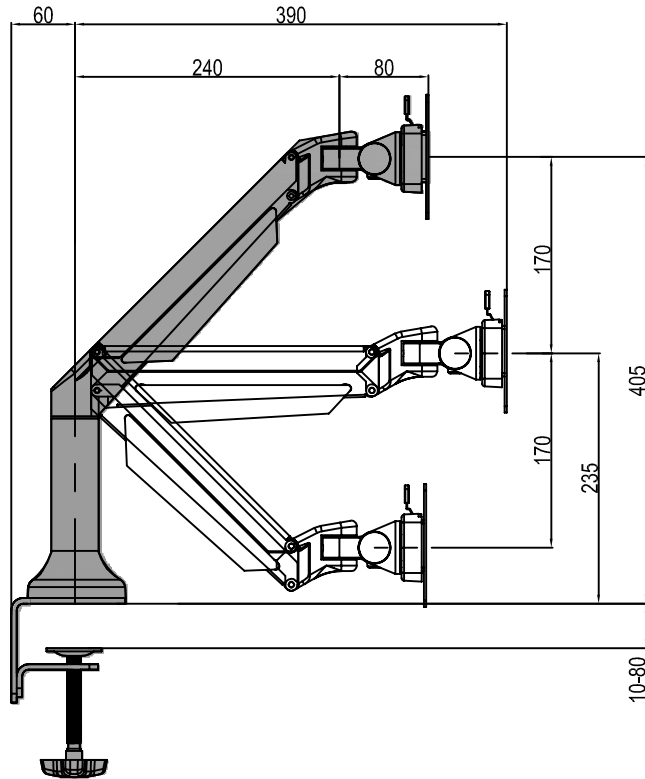
PRODUCT NAME : DESK CLAMP GAS SPRING ARM

Antsys

PRODUCT FEATURES

- MADE FROM DIE CAST A380 ALUMINIUM
- CONCEAL CABLE MANAGEMENT
- GAS SPRING ADJUSTABLE HEIGHT
- DETACHABLE MOUNTING BRACKET
- HIGH QUALITY ANODIZED FINISHING

PRODUCT DIMENSION



SPECIFICATIONS

LCD SIZE	CAPACITY	LIFT	TILT	PAN	ROTATE	VESA	PACKAGING
≤32"	2-6kg 5.5-10.5kg	340mm	+75° ~ -45°	± 90°	± 90°	75*75 100*100	475*195*145mm

ADJUSTMENT DIAGRAM

